

Peacock XT-532 MW

Integrated, High-Repetition Rate, Tunable Laser-OPO System



The **Peacock XT-532 MW** extends our all-integrated Laser-OPO series by high-repetition rate devices. The diode pumped solid state (DPSS) laser source is available from **50 Hz to 200 Hz**, providing high average power with **high energy nanosecond pulses** with continuous **NIR to Mid-IR wavelength coverage**. Our new and unique automated tuning offers **fast shot-to-shot wavelength switching** across the entire tuning range. **Energy measurement and attenuation** as well as **fiber-coupling** capability are integral parts of the Peacock XT series. Our robust all-solid-state technology provides intuitive features and interfaces that allow for easy **OEM machine integration** as well as for convenient usage in **research labs**. The rugged and turn-key design, paired with an intuitive GUI and programming interface, ensure convenient usability and best reliability.

The Peacock XT consists a 532 nm pumped **Laser-OPO package**, **seamlessly integrating** Quantel’s Merion MW DPSS laser series. Nanosecond pulses with a **peak energy of up to 85 mJ** in the **660 nm to 2650 nm** wavelength range at 50 Hz, 100 Hz or 200 Hz are available.

The PEACOCK series tunable Lasers are joint products of **GWU-Lasertechnik** and **Quantel Lasers by Lumibird**, combining decades of experience in Lasers and nonlinear optics.

Peacock XT-532 MW Specification

	Peacock XT-532					
	MW7-100/BB	MW7-200/BB	MW9-50/BB	MW7-100/MB	MW7-200/MB	MW9-50/MB
Repetition Rate [Hz]	100	200	50	100	200	50
Output Energy [mJ] ⁽¹⁾	42	22	85	40	21	80
Beam Diameter at Exit Aperture [mm]	< 7	< 7	< 9.5	< 7	< 7	< 9.5
Tuning Range Signal Wave [nm]	680 – 980			660 - 2650		
Tuning Range Idler Wave [nm]	1150 - 2200					
Linewidth at 725 nm ⁽²⁾	< 3 nm			< 12 cm ⁻¹		
Divergence (hor. / vert.) ⁽³⁾	< 10 mrad			< 10 mrad / < 2 mrad		
OPO Pulse Width	< 7 ns					

⁽¹⁾: BB at 725 nm, MB at 700 nm ⁽²⁾:Depends on wavelength

⁽³⁾: Full angle, at FWHM

Features and Benefits

All integrated Laser-OPO platform

Fast, shot-to-shot wavelength tuning

Real-time OPO energy signals

Fully automated for hands-free operation

Fiber-delivery or free-space output

Integrated wavelength measurement

Soft pumping scheme for high reliability and long lifetime

Applications

- Medical & Biotechnology
- Photoacoustic Imaging
- Spectroscopy
- Remote Sensing
- LIDAR

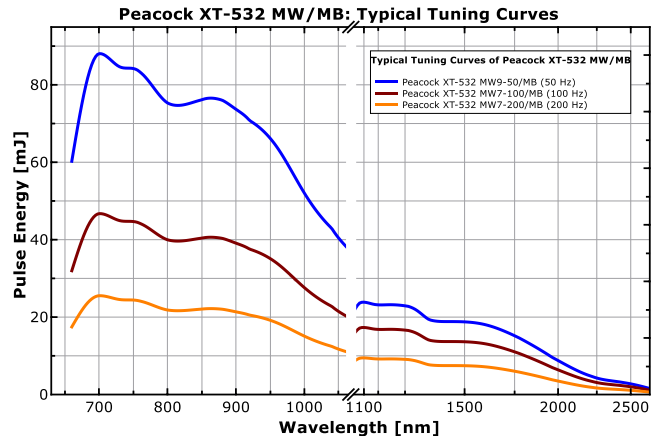
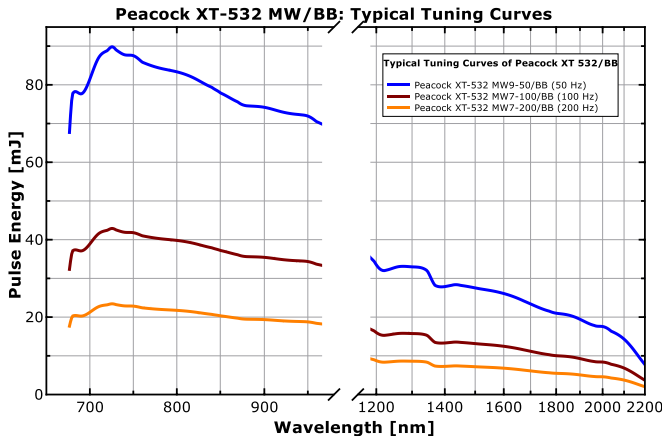
Notes

All specifications are subject to change without notice. The Peacock is a joint product of GWU-Lasertechnik and Quantel by Lumibird.



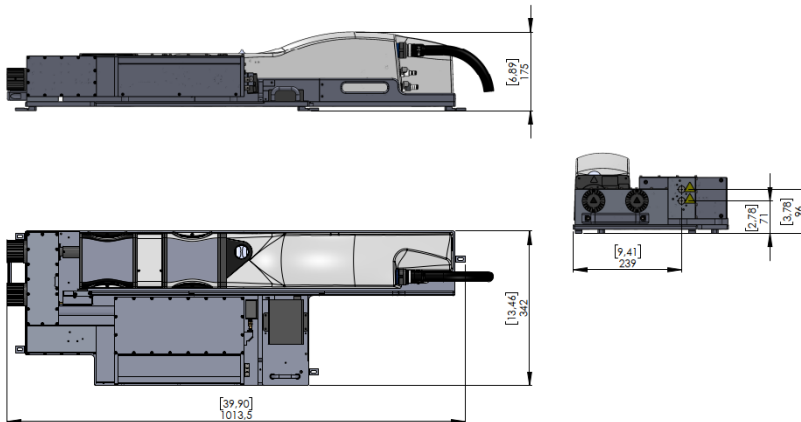
Peacock XT-532 MW Performance

Typical performance, not a guaranteed or warranted specification

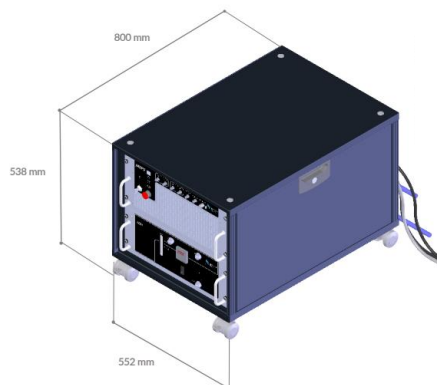


Peacock XT-532 MW Dimensions

Laser Head



Electronics



Mechanical + Utilities

Size OPO body
(L x W x H):
950 x 342 x 175 mm³

For dimensions with feet, and other protruding elements please refer to the dimensional drawing

Electric requirements
Power supply: 200-240 VAC, 50/60 Hz, 1600 VA.
Cooling group: 200-240 VAC, 50/60 Hz, 2200 VA.

Cooling: water to water

Cable Length: 3 m

Diode Warranty:
5 billion shots

GWU-Lasertechnik Vertriebsges. mbH

Bonner Ring 9
50374 Erftstadt
Germany

Fon +49.(0) 22 35.9 55 22-0
Fax +49.(0) 22 35.9 55 22-99

info@gwu-lasertechnik.de
www.gwu-lasertechnik.de

