

Peacock XT 355

Integrated Tunable Laser-OPO System



The Peacock XT 355 continues with our philosophy to provide reliable and user-friendly tunable laser systems for a wide range of applications. The Peacock XT provides high energy nanosecond pulses with continuous VIS to IR wavelength coverage. Our new and unique automated tuning offers fast shot-to-shot wavelength switching across the entire tuning range. Energy measurement and attenuation as well as fiber-coupling capability are integral parts of the Peacock XT series. Our robust all-solid-state technology provides intuitive features and interfaces that allow for easy OEM machine integration as well as for convenient usage in research labs. The rugged and turn-key design, paired with an intuitive GUI and programming interface, ensure convenient usability and best reliability.

The Peacock XT consists a 355 nm pumped Laser-OPO package, seamlessly integrating Quantel's Q-Smart 450 and Q-Smart 850 lasers. Nanosecond pulses with a peak energy of up to 90 mJ in the 405 nm to 2850 nm wavelength range at 10 Hz or 20 Hz are available.

The PEACOCK series tunable Lasers are joint products of GWU-Lasertechnik and Quantel Lasers by Lumibird, combining decades of experience in Lasers and nonlinear optics.

Peacock XT 355 Specification

	Peacock XT 355					
	BB/450		BB/850	MB/450		MB/850
Repetition Rate [Hz]	10	20	10	10	20	10
Output Energy [mJ] ⁽¹⁾	50	45	90	45	40	80
Beam Diameter at Exit Aperture [mm]	< 7		< 9.5	< 7		< 9.5
Tuning Range Signal Wave [nm]	405 – 680			405 - 2850		
Tuning Range Idler Wave [nm]	740 - 2630					
Linewidth	0.3 – 15 nm ⁽²⁾			< 4.5 cm ⁻¹		
Divergence (hor. / vert.) ⁽³⁾	< 8 mrad / < 10 mrad			< 6 mrad / < 1.5 mrad		
OPO Pulse Width	< 5 ns					

⁽¹⁾: At 425 nm ± 10 nm

⁽²⁾: Depends on wavelength

⁽³⁾: Full angle, at FWHM

Features and Benefits

All integrated Laser-OPO platform

Fast, shot-to-shot wavelength tuning

Real-time OPO energy signals

Fully automated for hands-free operation

Fiber-delivery or free-space output

Integrated wavelength measurement

Soft pumping scheme for high reliability and long lifetime

Applications

- Medical & Biotechnology
- Photoacoustic Imaging
- Spectroscopy
- Sensor Testing
- Remote Sensing
- LIDAR

Notes

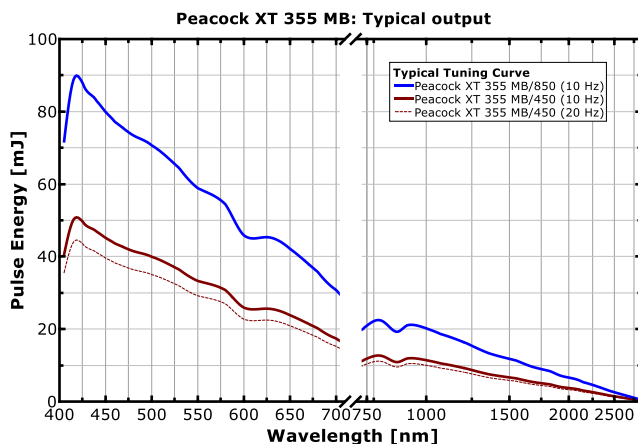
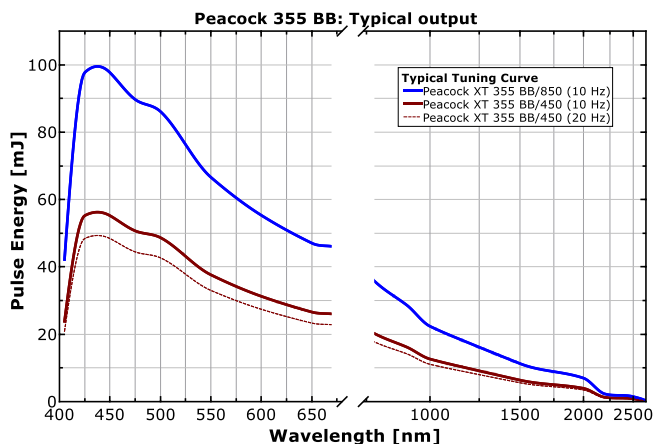
All specifications are subject to change without notice. The Peacock is a joint product of GWU-Lasertechnik and Quantel by Lumibird.



Scan Me!

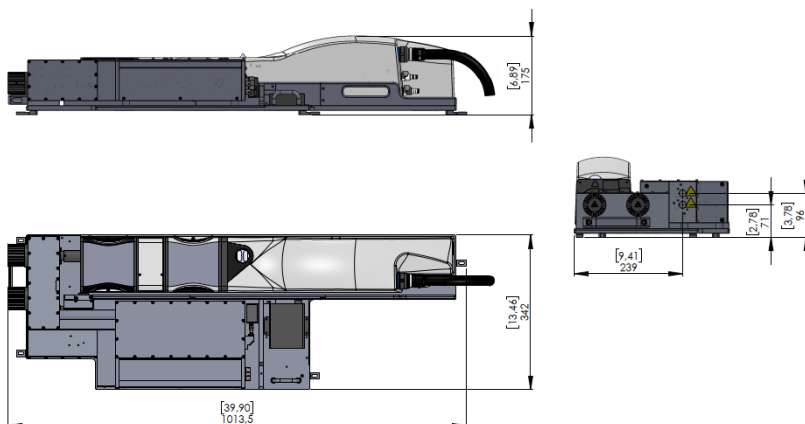
Peacock XT 355 Performance

Typical performance, not a guaranteed or warranted specification



Peacock Dimensions

Laser Head



Integrated Cooling & Electronics



Mechanical + Utilities

Size OPO body
(L x W x H):
950 x 342 x 175 mm³

For dimensions with feet, and other protruding elements please refer to the dimensional drawing

Electric requirements:
100-240 VAC, 50-60 Hz
single phase

Cooling: water to air

Cable Length: 3 m

Flashlamp Warranty:
100 million shots

GWU-Lasertechnik Vertriebsges. mbH

Bonner Ring 9
50374 Erftstadt
Germany

Fon +49.(0) 22 35.9 55 22-0
Fax +49.(0) 22 35.9 55 22-99

info@gwu-lasertechnik.de
www.gwu-lasertechnik.de

