

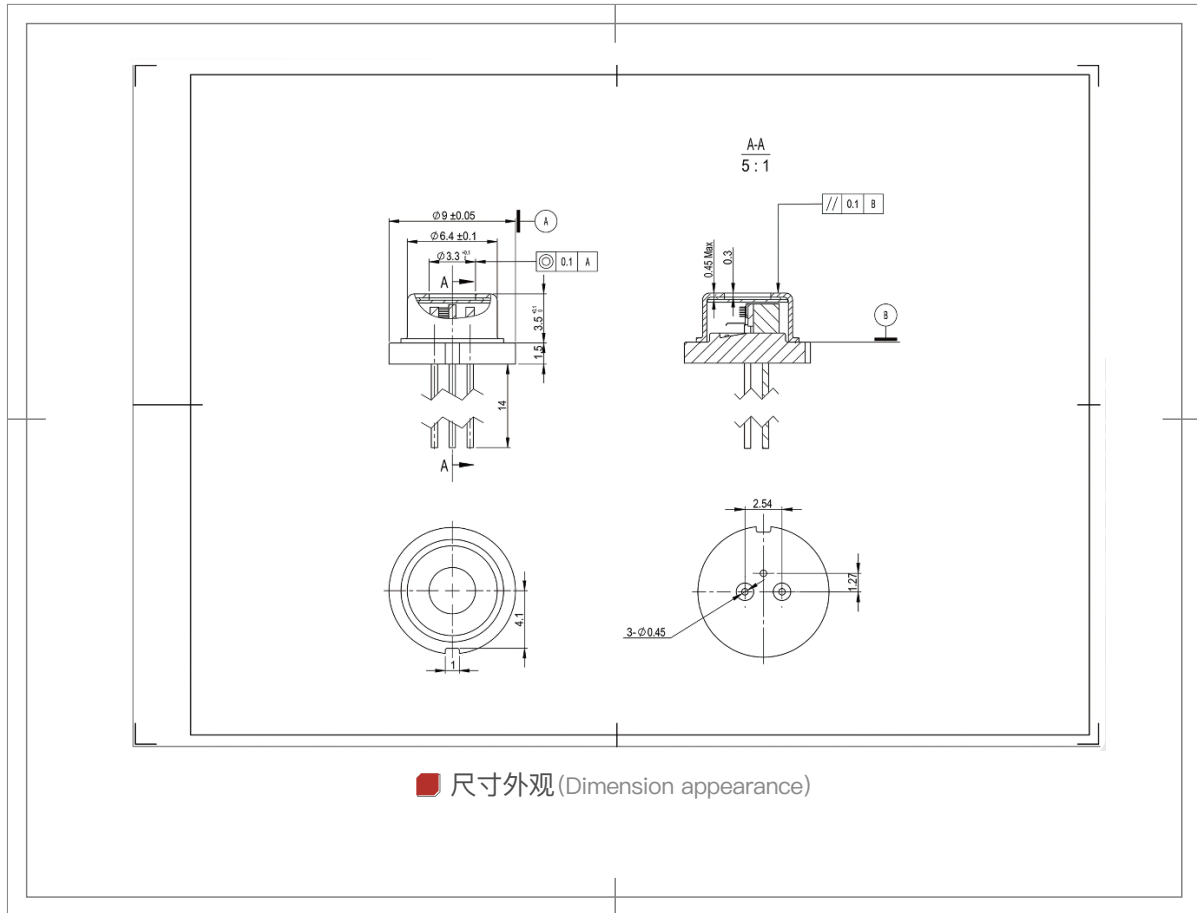
EB-TO9-1.0-830-10



	单位 Unit	最小值 Min	典型值 Typ	最大值 Max
光学性能 /Optical				
中心波长 /Center Wavelength	nm	820	830	840
中心波长偏差 /Wavelength Tolerance	nm		±10	
输出功率 /Output Power	W		1.0	
光谱宽度 /Spectral Width (FWHM)	nm		3.0	4.0
波长温度系数 /Wavelength Temperature Coefficient	nm/°C		0.3	
电学性能 /Electrical				
光电转换效率 /Power Conversion Efficiency	%	36	42	
斜率效率 /Slope Efficiency	W/A	1.05	1.1	
阈值电流 /Threshold Current	A		0.38	0.45
工作电流 /Operating Current	A		1.28	1.40
工作电压 /Operating Voltage	V		1.8	2.2
热学性能 /Thermal				
工作温度 /Operating Temperature	°C	0	25	40
存储温度 /Storage Temperature	°C		-20~70	

备注 /Remarks

- 1.Explanation of Item Number: EB (Everbright In Short) - TO9 (TO9 Package)-1.0 (Output Power) - 0830 (Center Wavelength)- 10(Wavelength Tolerance)
- 2.Above Data Test at 25°C, Unless otherwise stated.
- 3.Please avoid operation and storage in the condensation enviroment. If exceed operating temperature, the device lifetime will be inpacted.
4. Lifetime reduced if exceed nominal output power.



产品特点 / Product Features

应用领域 / Application Area

高同轴度
High Alignment

高功率
High Power

生物医学
Biomedical

散热性佳
Excellent Heat Exchange

内置监测光二极管
Built-in Monitor Photodiode

GWU-Lasertechnik Vertriebsges. mbH

Bonner Ring 9
50374 Erftstadt
Germany

Fon +49 . (0)22 35 . 9 55 22-0
Fax +49 . (0)22 35 . 9 55 22-99

info@gwu-group.de
www.gwu-group.de



苏州长光华芯光电技术股份有限公司 SUZHOU EVERBRIGHT PHOTONICS CO., LTD
江苏省苏州市高新区科技城漓江路56号 No.56, Lijiang Road, SND, Suzhou, China
www.everbrightphotonics.com Sales@everbrightphotonics.com +86-512-66896988

声明：长光华芯为客户提供卓越的产品和优质的服务。我们可能更改规格和产品描述，届时将不另行通知。如需详细信息，请联系长光华芯销售代表。
Notice: Everbright keep improving its products to provide our customers with outstanding quality and reliability. We may change the specification and product description without notice at any time. For complete details, please contact Everbright sales representative.

