

CASTECH®

LASER COMPONENTS



Pockels Cells Driver

PCD Pockels Cells Driver

Pockels cells driver is applied with pockels cells for laser pulse, pulse picking, and laser system. When input the trigger signal the driver will produce the same frequency high voltage signal. The light of the polarization state passing through the pockels cells is changed due to the HV signal.

Input modes: external trigger and internal trigger.

Output modes: pull-down, pull-up and square.

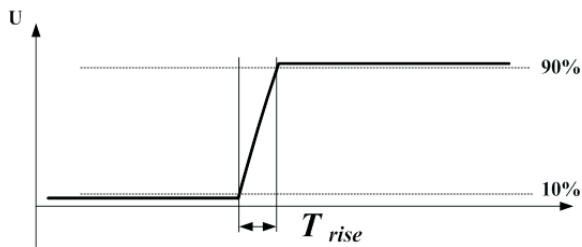
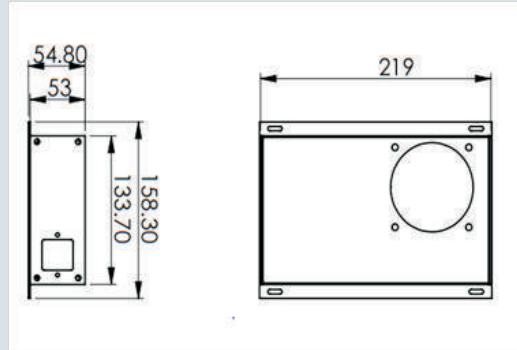


Fig. 1. rise time

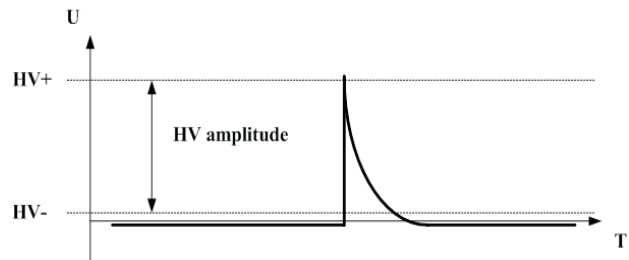


Fig. 2. HV

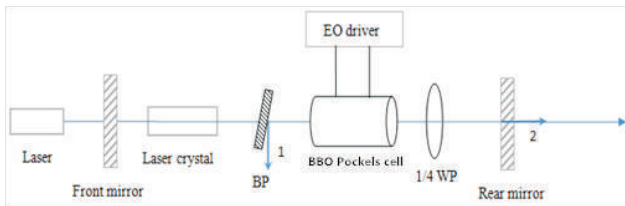
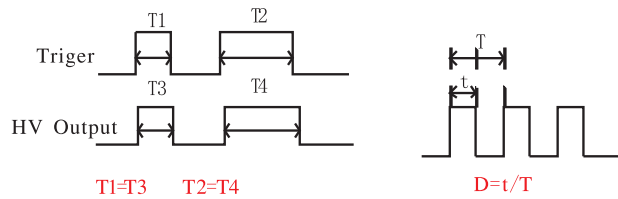
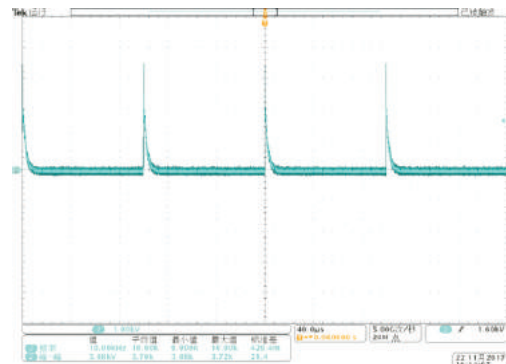
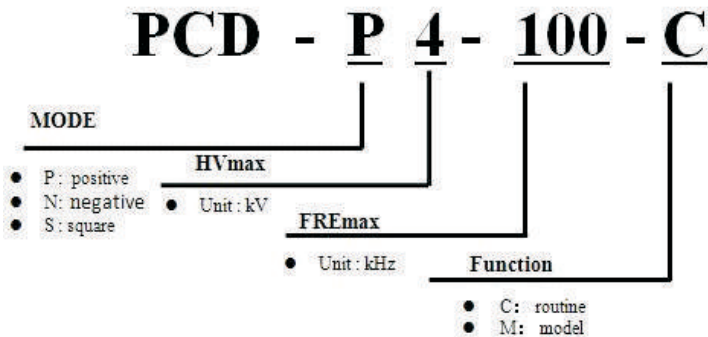


Fig. 3. LAB



Model Number



Pockels Cells

Features	Applications
▶ Fast HV rise/fall time < 10ns	▶ DPC pockels cells series
▶ Pulse repetition rate up to 100kHz	▶ BPC pockels cells series
▶ HV pulse amplitude up to 5 kV	▶ Pulse picker
▶ HV pulse jitter <1ns	
▶ Internal & External mode	

Specifications		
Model	PCD-P5-100-X	PCD-N5-100-X
Maximum High Voltage Pulse Amplitude ^①	5 kV	5 kV
Polarity	positive	negative
HV Pulse Rise Time ^②	<10 ns	~1us
HV Pulse Fall Time ^②	~1us	<10 ns
Maximum HV Pulse Repetition Rate	100kHz	100kHz
Trigger Mode	INT/EXT	
Input-Output Delay ^①	<1us	
External Triggering Pulse Duration Requirement	>100ns	
External Triggering Pulse Amplitude Requirement	3.3-5V (TTL)	
External Triggering Pulse Rise & Fall Requirement	<10 ns	
HV Pulse Jitter	<1 ns	
External Powering Requirements	DC 24V 3A / AC 85 ~ 264 V	
Radiator	FAN	

Model	PCD-S5-100-X
Maximum High Voltage Pulse Amplitude ^①	5 kV
HV Pulse Rise Time ^②	<10 ns
HV Pulse Fall Time ^②	<10 ns
Maximum HV Pulse Repetition Rate	100kHz
Trigger Mode	INT/EXT
HV Pulse Jitter	<1ns
External Triggering Pulse Duration Requirement	>200ns
External Triggering Pulse Amplitude Requirement	3.3-5V (TTL)
External Triggering Pulse Rise & Fall Requirement	<10 ns
External Powering Requirements	DC 24V 3A / AC 85 ~ 264 V
Radiator	FAN

① Customized ② Typical value, Test conditions: PRR= 100 kHz, U= 4 kV



福建福晶科技股份有限公司
CASTECH INC.

ADD: Building No.9, Zone F, 89 Ruan
jian Avenue, Fuzhou, Fujian
350003, China

TEL: +86-591-83710533

FAX: +86-591-83711593

E-mail: SALES@CASTECH.COM



GWU-Lasertechnik Vertriebsges. mbH

Bonner Ring 9
50374 Erftstadt
Germany

Fon +49 . (0)22 35 . 9 55 22-0
Fax +49 . (0)22 35 . 9 55 22-99

info@gwu-group.de
www.gwu-group.de



www.gwu-group.de

WWW.CASTECH.COM
WWW.CASTECH.COM