



OPTICS CATALOGUE

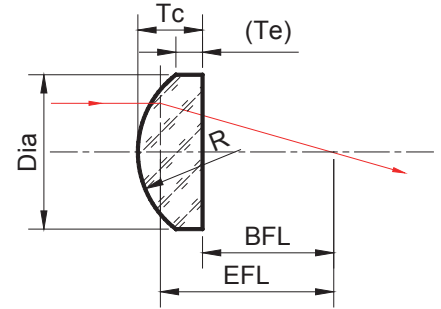
(2017-2018)



Plano-Convex Lenses

Specifications

Material:	BK7 or UV fused silica
Focal Length Tolerance:	± 1% @589nm
Design Wavelength:	589nm
Centration:	≤3 arc min
Diameter Tolerance:	+0/-0.1
Clear Aperture :	≥ central 90% of diameter
Center Thickness Tolerance:	±0.1 mm
Edge Thickness:	3.0 mm , nominal
Surface Quality:	20-10 (UVFS) / 40-20(BK7)
Surface Accuracy:	≤1.5λ power, λ /2 irregularity (UVFS) ≤1.5λ power, λ /4 irregularity (BK7)
Chamfers:	0-0.8mm face width ×45° ±15° typical



- Other diameter, focus length ,and material are available upon request.

Order Information

LPX	—	063	—	R065	—	BK7
Product Code		Dia=6.3mm		Radius =6.563mm		Material

Plano-Convex Lenses

Part Number	Dia (mm)	EFL (mm)	R (mm)	Tc (mm)	Te (mm)	Material
LPX-063-R065-BK7	6.35	12.7	6.563	3.819	3.0	BK7
LPX-063-R131-BK7	6.35	25.4	13.127	3.390	3.0	BK7
LPX-063-R164-BK7	6.35	31.8	16.495	3.308	3.0	BK7
LPX-063-R196-BK7	6.35	38.1	19.690	3.258	3.0	BK7
LPX-127-R131-BK7	12.7	25.4	13.127	5.330	3.0	BK7
LPX-127-R196-BK7	12.7	38.1	19.690	4.052	3.0	BK7
LPX-127-R259-BK7	12.7	50.2	25.943	3.789	3.0	BK7
LPX-127-R390-BK7	12.7	75.6	39.070	3.519	3.0	BK7
LPX-127-R516-BK7	12.7	100	51.680	3.392	3.0	BK7
LPX-127-R775-BK7	12.7	150	77.520	3.251	3.0	BK7
LPX-127-R1292-BK7	12.7	250	129.200	3.156	3.0	BK7

Plano-Convex Lenses

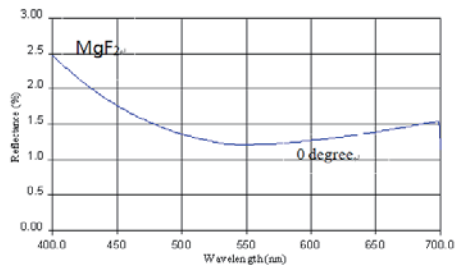
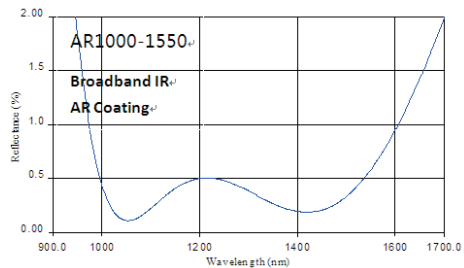
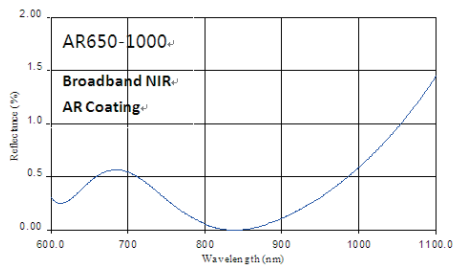
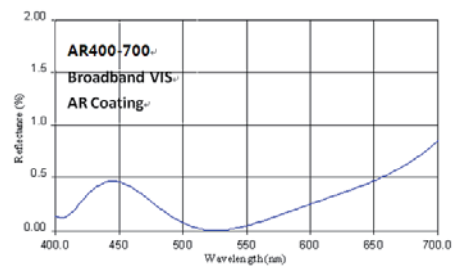
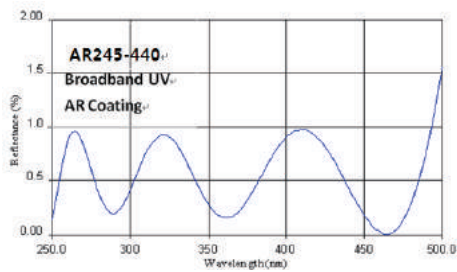
Part Number	Dia (mm)	EFL (mm)	R (mm)	Tc (mm)	Te(mm)	Material
LPX-254-R131-BK7	25.4	25.4	13.127	12.807	3.0	BK7
LPX-254-R259-BK7	25.4	50.2	25.943	6.321	3.0	BK7
LPX-254-R390-BK7	25.4	75.6	39.070	5.122	3.0	BK7
LPX-254-R516-BK7	25.4	100	51.68	4.585	3.0	BK7
LPX-254-R775-BK7	25.4	150	77.52	4.047	3.0	BK7
LPX-254-R1033-BK7	25.4	200	103.36	3.783	3.0	BK7
LPX-254-R1292-BK7	25.4	250	129.20	3.626	3.0	BK7
LPX-254-R1550-BK7	25.4	300	155.04	3.521	3.0	BK7
LPX-254-R2067-BK7	25.4	400	206.72	3.390	3.0	BK7
LPX-254-R2584-BK7	25.4	500	258.4	3.312	3.0	BK7
LPX-254-R3876-BK7	25.4	750	387.6	3.208	3.0	BK7
LPX-254-R5168-BK7	25.4	1000	516.8	3.156	3.0	BK7
LPX-508-R516-BK7	50.8	100	51.68	9.673	3.0	BK7
LPX-508-R775-BK7	50.8	150	77.52	7.279	3.0	BK7
LPX-508-R1033-BK7	50.8	200	103.36	6.17	3.0	BK7
LPX-508-R1292-BK7	50.8	250	129.2	5.521	3.0	BK7
LPX-508-R1550-BK7	50.8	300	155.04	5.059	3.0	BK7
LPX-508-R2067-BK7	50.8	400	206.72	4.566	3.0	BK7
LPX-508-R2584-BK7	50.8	500	258.4	4.251	3.0	BK7
LPX-508-R3876-BK7	50.8	750	387.6	3.833	3.0	BK7
LPX-508-R5168-BK7	50.8	1000	516.8	3.625	3.0	BK7

LPX-063-R058-UVFS	6.35	12.7	5.829	3.941	3.0	UVFS
LPX-127-R116-UVFS	12.7	25.4	11.659	4.881	3.0	UVFS
LPX-127-R174-UVFS	12.7	38.1	17.465	4.200	3.0	UVFS
LPX-127-R230-UVFS	12.7	50.2	23.012	3.89	3.0	UVFS
LPX-127-R346-UVFS	12.7	75.6	34.656	3.59	3.0	UVFS
LPX-254-R174-UVFS	25.4	38.1	17.465	8.48	3.0	UVFS
LPX-254-R230-UVFS	25.4	50.2	23.042	6.816	3.0	UVFS
LPX-254-R347-UVFS	25.4	75.6	34.7	5.408	3.0	UVFS
LPX-254-R459-UVFS	25.4	100	45.9	4.792	3.0	UVFS

Plano-Convex Lenses

Part Number	Dia (mm)	EFL(mm)	R (mm)	Tc (mm)	Material
LPX-254-R688-UVFS	25.4	150	68.85	4.181	UVFS
LPX-254-R918-UVFS	25.4	200	91.8	3.883	UVFS
LPX-254-R1146-UVFS	25.4	250	114.603	3.71	UVFS
LPX-254-R1604-UVFS	25.4	350	160.445	3.5	UVFS
LPX-254-R2295-UVFS	25.4	500	229.5	3.352	UVFS
LPX-254-R3438-UVFS	25.4	750	343.81	3.23	UVFS
LPX-254-R4590-UVFS	25.4	1000	459.00	3.176	UVFS
LPX-508-R459-UVFS	50.8	100	45.9	10.668	UVFS
LPX-508-R918-UVFS	50.8	200	91.8	6.584	UVFS
LPX-508-R1377-UVFS	50.8	300	137.7	5.363	UVFS
LPX-508-R2295-UVFS	50.8	500	229.5	4.41	UVFS

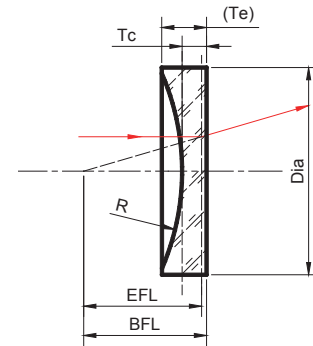
Antireflective coating



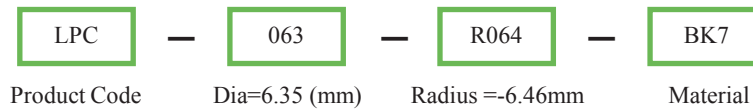
Plano-Concave Lenses

Specifications

Material:	BK7 or UV fused silica
Focal Length Tolerance:	$\pm 1\% @ 589\text{nm}$
Design Wavelength:	589nm
Centration:	≤ 3 arc min
Diameter Tolerance:	+0/-0.1
Clear Aperture	\geq central 90% of diameter
Center Thickness and Tolerance	2.5 ± 0.1 mm
Edge Thickness:	Nominal Value
Surface Quality:	20-10 (UVFS) / 40-20 (BK7)
Surface Accuracy:	$\leq 1.5\lambda$ power, $\lambda/2$ irregularity (UVFS) $\leq 1.5\lambda$ power, $\lambda/4$ irregularity (BK7)
Chamfers:	0-0.8mm face width $\times 45^\circ \pm 15^\circ$ typical



Order Information



Plano-Concave Lenses

Part Number	Dia (mm)	EFL (mm)	R (mm)	Te (mm)	Tc (mm)	Material
LPC-063-R064-BK7	6.35	-12.5	-6.46	3.17	2.5	BK7
LPC-063-R129-BK7	6.35	-25	-12.92	2.82	2.5	BK7
LPC-127-R129-BK7	12.7	-25	-12.92	3.83	2.5	BK7
LPC-127-R258-BK7	12.7	-50	-25.84	3.14	2.5	BK7
LPC-127-R387-BK7	12.7	-75	-38.76	2.92	2.5	BK7
LPC-127-R516-BK7	12.7	-100	-51.68	2.82	2.5	BK7
LPC-254-R129-BK7	25.4	-25	-12.92	9.4	2.5	BK7
LPC-254-R258-BK7	25.4	-50	-25.84	5.17	2.5	BK7
LPC-254-R387-BK7	25.4	-75	-38.76	4.22	2.5	BK7
LPC-254-R516-BK7	25.4	-100	-51.68	3.78	2.5	BK7
LPC-254-R775-BK7	25.4	-150	-77.52	3.35	2.5	BK7
LPC-254-R1033-BK7	25.4	-200	-103.36	3.13	2.5	BK7
LPC-508-R387-BK7	50.8	-75	-38.76	9.96	2.5	BK7
LPC-508-R516-BK7	50.8	-100	-51.68	7.83	2.5	BK7
LPC-508-R775-BK7	50.8	-150	-77.52	5.95	2.5	BK7

Plano-Concave Lenses

Part Number	Dia (mm)	EFL (mm)	R (mm)	Te (mm)	Tc(mm)	Material
LPC-508-R1036-BK7	50.8	-200	-103.36	5.06	2.5	BK7
LPC-508-R1292-BK7	50.8	-250	-129.2	4.54	2.5	BK7
LPC-508-R2584-BK7	50.8	-500	-258.4	3.51	2.5	BK7

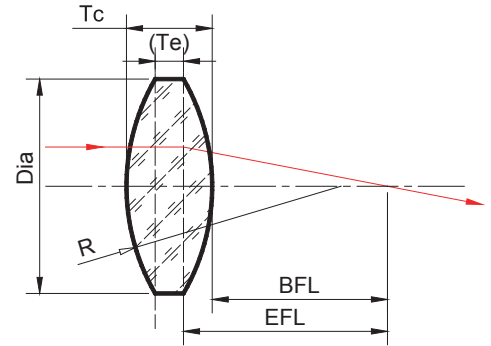
LPC-063-R057-UVFS	6.35	-12.5	-5.737	3.26	2.5	UVFS
LPC-063-R114-UVFS	12.7	-25	-11.475	4.02	2.5	UVFS
LPC-254-R229-UVFS	25.4	-50	-22.95	5.55	2.5	UVFS
LPC-254-R344-UVFS	25.4	-75	-34.425	4.45	2.5	UVFS
LPC-254-R459-UVFS	25.4	-100	-45.9	3.95	2.5	UVFS
LPC-254-R688-UVFS	25.4	-150	-68.85	3.46	2.5	UVFS
LPC-254-R918-UVFS	25.4	-200	-91.8	3.21	2.5	UVFS
LPC-254-R1147-UVFS	25.4	-250	-114.75	3.07	2.5	UVFS
LPC-254-R4590-UVFS	25.4	-1000	-459.000	2.64	2.5	UVFS
LPC-508-R459-UVFS	50.8	-100	-45.9	8.60	2.5	UVFS
LPC-508-R688-UVFS	50.8	-150	-68.85	6.41	2.5	UVFS
LPC-508-R918-UVFS	50.8	-200	-91.8	5.39	2.5	UVFS
LPC-508-R1147-UVFS	50.8	-250	-114.75	4.80	2.5	UVFS
LPC-508-R2295-UVFS	50.8	-500	-229.5	3.64	2.5	UVFS
LPC-508-R4590-UVFS	50.8	-1000	-459.00	3.07	2.5	UVFS

- Please note : Other sizes and focal length are available upon request. Also the lens ring mounts are available upon request.

Bi-Convex Lenses

Specifications

Material:	BK7 or UV fused silica
Focal Length Tolerance:	$\pm 1\% @ 589\text{nm}$
Design Wavelength:	589nm
Centration:	≤ 3 arc min
Diameter Tolerance:	+0/-0.1
Clear Aperture	\geq central 90% of diameter
Center Thickness Tolerance	± 0.1 mm
Edge Thickness:	3.0 mm , nominal
Surface Quality:	20-10 (UVFS) / 40-20(BK7)
Surface Accuracy:	$\leq 1.5\lambda$ power, $\lambda/2$ irregularity (UVFS) $\leq 1.5\lambda$ power, $\lambda/4$ irregularity (BK7)
Chamfers:	0-0.8mm face width $\times 45^\circ \pm 15^\circ$ typical



Order Information



Bi-Convex Lenses

Part Number	Dia (mm)	EFL (mm)	R (mm)	Tc (mm)	Te(mm)	Material
LBX-063-R056-BK7	6.35	6.4	5.619	4.96	3.0	BK7
LBX-063-R124-BK7	6.35	12.7	12.44	3.82	3.0	BK7
LBX-063-R190-BK7	6.35	19	19.017	3.53	3.0	BK7
LBX-063-R256-BK7	6.35	25.4	25.663	3.39	3.0	BK7
LBX-127-R118-BK7	12.7	12.7	11.868	6.68	3.0	BK7
LBX-127-R187-BK7	12.7	19	18.705	5.22	3.0	BK7
LBX-127-R254-BK7	12.7	25.4	25.444	4.61	3.0	BK7
LBX-127-R386-BK7	12.7	38.1	38.679	4.05	3.0	BK7
LBX-127-R512-BK7	12.7	50.2	51.234	3.79	3.0	BK7
LBX-127-R643-BK7	12.7	62.9	64.392	3.628	3.0	BK7
LBX-127-R775-BK7	12.7	75.6	77.538	3.521	3.0	BK7
LBX-254-R166-BK7	25.4	19	16.687	14.725	3.0	BK7
LBX-254-R243-BK7	25.4	25.4	24.397	10.132	3.0	BK7
LBX-254-R380-BK7	25.4	38.1	38.085	7.36	3.0	BK7
LBX-254-R508-BK7	25.4	50.2	50.806	6.226	3.0	BK7

Bi-Convex Lenses

Part Number	Dia (mm)	EFL (mm)	R (mm)	Tc (mm)	Tc(mm)	Material
LBX-254-R640-BK7	25.4	62.9	64.057	5.543	3.0	BK7
LBX-254-R772-BK7	25.4	75.6	77.265	5.102	3.0	BK7
LBX-254-R904-BK7	25.4	88.3	90.446	4.792	3.0	BK7
LBX-254-R1025-BK7	25.4	100	102.577	4.578	3.0	BK7
LBX-254-R1284-BK7	25.4	125	128.476	4.258	3.0	BK7
LBX-254-R1543-BK7	25.4	150	154.353	4.047	3.0	BK7
LBX-254-R1802-BK7	25.4	175	180.219	3.896	3.0	BK7
LBX-254-R2060-BK7	25.4	200	206.078	3.783	3.0	BK7
LBX-254-R2577-BK7	25.4	250	257.789	3.626	3.0	BK7
LBX-254-R5162-BK7	25.4	500	516.245	3.313	3.0	BK7
LBX-254-R10330-BK7	25.4	1000	1033.074	3.156	3.0	BK7
LBX-508-R1017-BK7	50.8	100	101.729	9.444	3.0	BK7
LBX-508-R2576-BK7	50.8	250	257.646	5.512	3.0	BK7
LBX-508-R5160-BK7	50.8	500	516.098	4.251	3.0	BK7

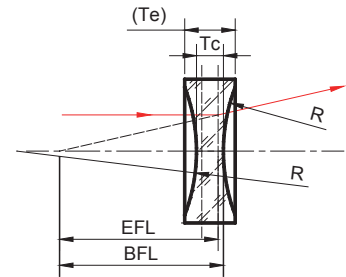
LBX-063-R110-UVFS	6.35	12.7	11.003	3.936	3.0	UVFS
LBX-127-R103-UVFS	12.7	12.7	10.358	7.349	3.0	UVFS
LBX-127-R225-UVFS	12.7	25.4	22.532	4.826	3.0	UVFS
LBX-254-R153-UVFS	25.4	20	15.388	16	3.0	UVFS
LBX-254-R213-UVFS	25.4	25.4	21.366	11.368	3.0	UVFS
LBX-254-R281-UVFS	25.4	32	28.11	7.5	3.0	UVFS
LBX-254-R450-UVFS	25.4	50.2	45.013	6.657	3.0	UVFS
LBX-254-R685-UVFS	25.4	75.6	68.547	5.373	3.0	UVFS
LBX-254-R910-UVFS	25.4	100	91.045	4.78	3.0	UVFS
LBX-254-R1370-UVFS	25.4	150	137.045	4.179	3.0	UVFS
LBX-254-R1829-UVFS	25.4	200	182.992	3.882	3.0	UVFS
LBX-254-R2289-UVFS	25.4	250	228.925	3.705	3.0	UVFS
LBX-254-R4584-UVFS	25.4	500	458.46	3.350	3.0	UVFS
LBX-254-R9174-UVFS	25.4	1000	917.498	3.176	3.0	UVFS
LBX-508-R1825-UVFS	50.8	200	182.571	6.551	3.0	UVFS
LBX-508-R4583-UVFS	50.8	500	458.325	4.409	3.0	UVFS

- Please note : Other sizes and focal length are available upon request. Also the lens ring mounts are available upon request.

Bi-Concave Lenses

Specifications

Material:	BK7 or UV fused silica
Focal Length Tolerance:	$\pm 1\% @ 589\text{nm}$
Design Wavelength:	589nm
Centration:	≤ 3 arc min
Diameter Tolerance:	+0/-0.1
Clear Aperture	\geq central 90% of diameter
Center Thickness Tolerance	± 0.1 mm
Center Thickness:	2.5 mm , nominal
Surface Quality:	20-10 (UVFS) / 40-20(BK7)
Surface Accuracy:	$\leq 1.5\lambda$ power, $\lambda/2$ irregularity (UVFS) $\leq 1.5\lambda$ power, $\lambda/4$ irregularity (BK7)
Chamfers:	0-0.8mm face width $\times 45^\circ \pm 15^\circ$ typical



Order Information



Bi-Concave Lenses

Part Number	Dia (mm)	EFL (mm)	R (mm)	Te (mm)	Tc(mm)	Material
LBC-063-R068-BK7	6.35	-6.3	-6.851	3.75	2.5	BK7
LBC-063-R133-BK7	6.35	-12.5	-13.333	3.12	2.5	BK7
LBC-127-R133-BK7	12.7	-12.5	-13.333	5.07	2.5	BK7
LBC-127-R262-BK7	12.7	-25	-26.259	3.76	2.5	BK7
LBC-127-R521-BK7	12.7	-50	-52.103	3.13	2.5	BK7
LBC-127-R779-BK7	12.7	-75	-77.943	2.92	2.5	BK7
LBC-127-R1037-BK7	12.7	-100	-103.785	2.82	2.5	BK7
LBC-254-R262-BK7	25.4	-25	-26.259	7.74	2.5	BK7
LBC-254-R521-BK7	25.4	-50	-52.103	5.04	2.5	BK7
LBC-254-R779-BK7	25.4	-75	-77.943	4.19	2.5	BK7
LBC-254-R1037-BK7	25.4	-100	-103.785	3.76	2.5	BK7
LBC-254-R1554-BK7	25.4	-150	-155.466	3.34	2.5	BK7
LBC-254-R2071-BK7	25.4	-200	-207.148	3.13	2.5	BK7
LBC-508-R779-BK7	50.8	-75	-77.943	9.36	2.5	BK7
LBC-508-R1037-BK7	50.8	-100	-103.785	7.60	2.5	BK7
LBC-508-R1554-BK7	50.8	-150	-155.466	5.88	2.5	BK7

Bi-Concave Lenses

Part Number	Dia (mm)	EFL (mm)	R (mm)	Te (mm)	Tc(mm)	Material
LBC-508-R2071-BK7	50.8	-200	-207.148	5.03	2.5	BK7
LBC-508-R2588-BK7	50.8	-250	-258.824	4.52	2.5	BK7
LBC-508-R5172-BK7	50.8	-500	517.255	3.51	2.5	BK7

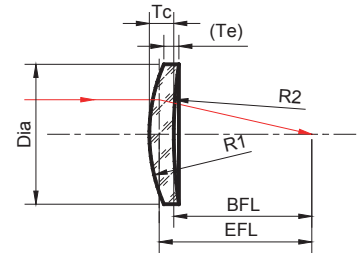
LBC-063-R118-UVFS	6.35	-12.5	-11.865	3.20	2.5	UVFS
LBC-127-R232-UVFS	12.7	-25	-23.237	3.92	2.5	UVFS
LBC-254-R462-UVFS	25.4	-50	-46.29	5.37	2.5	UVFS
LBC-254-R692-UVFS	25.4	-75	-69.241	4.40	2.5	UVFS
LBC-254-R921-UVFS	25.4	-100	-92.192	3.92	2.5	UVFS
LBC-254-R1380-UVFS	25.4	-150	-138.092	3.45	2.5	UVFS
LBC-254-R1839-UVFS	25.4	-200	-183.993	3.21	2.5	UVFS
LBC-254-R2298-UVFS	25.4	-250	-229.890	3.07	2.5	UVFS
LBC-254-R9183-UVFS	25.4	-1000	-918.377	2.64	2.5	UVFS
LBC-508-R921-UVFS	50.8	-100	-92.192	8.26	2.5	UVFS
LBC-508-R1380-UVFS	50.8	-150	-138.092	6.31	2.5	UVFS
LBC-508-R1839-UVFS	50.8	-200	-183.993	5.35	2.5	UVFS
LBC-508-R2298-UVFS	50.8	-250	-229.890	4.78	2.5	UVFS
LBC-508-R4593-UVFS	50.8	-500	-459.380	3.64	2.5	UVFS
LBC-508-R9183-UVFS	50.8	-1000	-918.377	3.07	2.5	UVFS

- Please note : Other sizes and focal length are available upon request. Also the lens ring mounts are available upon request.

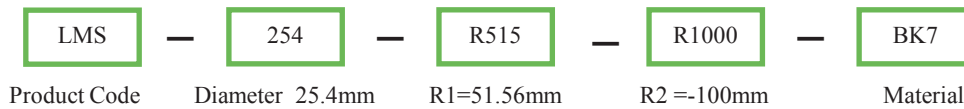
Meniscus Lenses

Specifications

Material:	BK7 or UV fused silica
Focal Length Tolerance:	$\pm 1\% @ 589\text{nm}$
Design Wavelength:	589nm
Centration:	≤ 3 arc min
Diameter Tolerance:	+0/-0.1
Clear Aperture	\geq central 90% of diameter
Center Thickness Tolerance	± 0.1 mm
Edge Thickness:	3.5 mm , nominal
Surface Quality:	20-10 (UVFS) / 40-20(BK7)
Surface Accuracy:	$\leq 1.5\lambda$ power, $\lambda/2$ irregularity (UVFS) $\leq 1.5\lambda$ power, $\lambda/4$ irregularity (BK7)
Chamfers:	0-0.8mm face width $\times 45^\circ \pm 15^\circ$ typical



Order Information



Meniscus Lenses

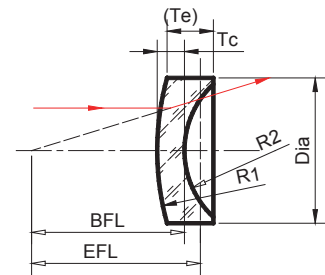
Part Number	Dia (mm)	Tc(mm)	Te (mm)	R1(mm)	R2(mm)	EFL (mm)	Material
LMS-254-R515-R1000-BK7	25.4	4.28	3.5	51.56	-100	200	BK7
LMS-254-R857-R2500-BK7	25.4	4.12	3.5	85.7	-250	250	BK7
LMS-254-R1025-R3000-BK7	25.4	4.02	3.5	102.58	-300	300	BK7
LMS-254-R1266-R3220-BK7	25.4	3.89	3.5	126.66	-322	400	BK7
LMS-254-R1554-R3876-BK7	25.4	3.81	3.5	155.466	-387.6	500	BK7

- Please note : Other sizes and focal length are available upon request. Also the lens ring mounts are available upon required.

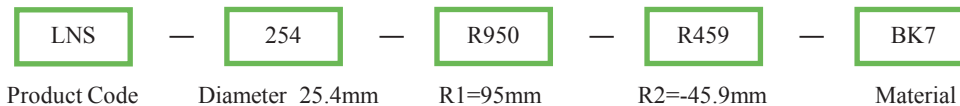
Negative Meniscus Lenses

Specifications

Material:	BK7 or UV fused silica
Focal Length Tolerance:	± 1% @ 589nm
Design Wavelength:	589nm
Centration:	≤ 3 arc min
Diameter Tolerance:	+0/-0.1
Clear Aperture	≥ central 90% of diameter
Center Thickness Tolerance	± 0.1 mm
Surface Quality:	20-10 (UVFS) / 40-20(BK7)
Surface Accuracy:	≤ 1.5λ power, λ / 2 irregularity (UVFS) ≤ 1.5λ power, λ / 4 irregularity (BK7)
Chamfers:	0-0.8mm face width × 45° ± 15° typical



Order Information



BK7 Meniscus Lenses

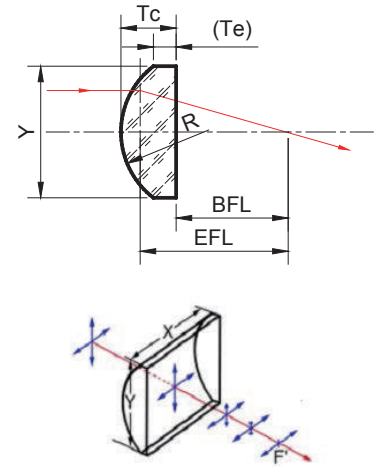
Part Number	Dia (mm)	Tc(mm)	Te (mm)	R1(mm)	R2(mm)	EFL (mm)	Material
LNS-254-R950-R459-BK7	25.4	2.86	3.8	95.0	-45.9	-175.0	BK7
LNS-254-R1000-R431-BK7	25.4	3.73	4.77	100	-43.11	-150.0	BK7
LNS-254-R900-R373-BK7	25.4	2.02	3.3	100	-38.973	-125.0	BK7
LNS-254-R900-R326-BK7	25.4	2.32	3.92	100	-33.8	-100	BK7

- Please note : Other sizes and focal length are available upon request. Also the lens ring mounts are available upon request.

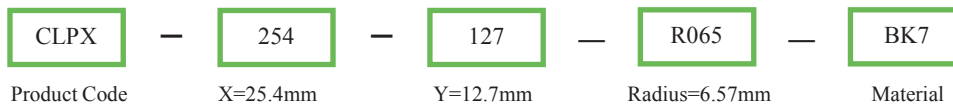
Plano-Convex Cylindrical Lenses

Specifications

Material:	BK7 or UV fused silica
Focal Length Tolerance:	± 2%@589nm
Centration:	≤3 arc min
Diameter Tolerance:	+0/-0.1
Clear Aperture :	≥ central 90% of diameter
Center Thickness Tolerance:	±0.1 mm
Edge Thickness	3.0mm,Nominal Value
Surface Quality:	40/20 scratch/dig
Surface Accuracy: (over the clear aperture)	≤ λ/2 irregularity in Y axis at 632.8 nm ≤ λ/4/cm irregularity in X axis at 632.8 nm
Chamfers:	0-0.8mm face width ×45° ±15° typical



Order Information



Plano-Convex Cylindrical Lenses

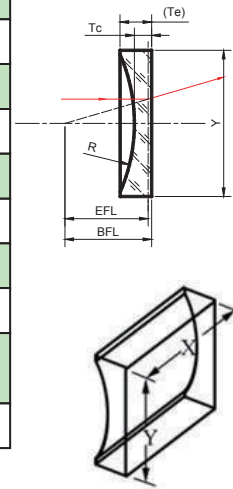
Part Number	X (mm)	Y (mm)	EFL (mm)	R (mm)	Tc (mm)	Te (mm)	Material
CLPX-254-127-R065-BK7	25.4	12.7	12.7	6.57	7.9	3.0	BK7
CLPX-508-254-R197-BK7	50.8	25.4	38.1	19.7	7.64	3.0	BK7
CLPX-508-254-R259-BK7	50.8	25.4	50.2	25.95	6.32	3.0	BK7
CLPX-508-254-R325-BK7	50.8	25.4	62.9	32.52	5.58	3.0	BK7
CLPX-508-254-R390-BK7	50.8	25.4	75.6	39.09	5.12	3.0	BK7
CLPX-508-508-R517-BK7	50.8	50.8	100	51.7	9.67	3.0	BK7
CLPX-508-508-R775-BK7	50.8	50.8	150	77.55	7.28	3.0	BK7
CLPX-508-508-R1034-BK7	50.8	50.8	200	103.4	6.17	3.0	BK7
CLPX-508-508-R1551-BK7	50.8	50.8	300	155.1	5.09	3.0	BK7
CLPX-508-254-R239-UVFS	50.8	25.4	50.2	23.09	6.81	3.0	UVFS
CLPX-508-254-R460-UVFS	50.8	25.4	100	46.00	4.79	3.0	UVFS
CLPX-508-508-R690-UVFS	50.8	50.8	150	69.00	7.85	3.0	UVFS
CLPX-508-508-R920-UVFS	50.8	50.8	200	92.00	6.58	3.0	UVFS
CLPX-508-508-R1380-UVFS	50.8	50.8	300	138.00	5.36	3.0	UVFS

● Please note : Other sizes and focal are available upon request. Also the lens ring mounts are available upon request.

Plano-Concave Cylindrical Lenses

Specifications

Material:	BK 7 or UV fused silica
Focal Length Tolerance:	$\pm 2\% @ 589\text{nm}$
Centration:	≤ 3 arc min
Diameter Tolerance:	+0/-0.1
Clear Aperture :	\geq central 90% of diameter
Center Thickness and Tolerance:	2.5 ± 0.1 mm
Edge Thickness	Nominal Value
Surface Quality:	40/20 scratch/dig
Surface Accuracy: (over the clear aperture)	$\leq \lambda/2$ irregularity in Y axis at 632.8 nm $\leq \lambda/4/\text{cm}$ irregularity in X axis at 632.8 nm
Chamfers:	0-0.8mm face width $\times 45^\circ \pm 15^\circ$ typical



Order Information

CLPC	—	254	—	063	—	R033	—	BK7
Product Code		X =25.4mm		Y=6.35mm		R =-3.31mm		Material

Plano-Concave Cylindrical Lenses

Part Number	X (mm)	Y (mm)	EFL (mm)	R (mm)	Tc (mm)	Te (mm)	Material
CLPC-254-063-R033-BK7	25.4	6.35	-6.4	-3.31	6.0	7.36	BK7
CLPC-254-127-R065-BK7	25.4	12.7	-12.7	-6.57	6.0	9.58	BK7
CLPC-254-127-R129-BK7	25.4	12.7	-25	-12.92	6.0	7.4	BK7
CLPC-508-190-R258-BK7	50.8	19.0	-50	-25.85	6.0	7.62	BK7
CLPC-508-254-R750-BK7	50.8	25.4	-75	-38.77	6.0	7.97	BK7
CLPC-508-254-R517-BK7	50.8	25.4	-100	-51.7	6.0	7.46	BK7
CLPC-508-254-R775-BK7	50.8	25.4	-150	-77.55	6.0	6.97	BK7
CLPC-508-254-R1034-BK7	50.8	25.4	-200	-103.4	6.0	6.72	BK7
CLPC-508-190-R116-UVFS	50.8	19.0	-25.4	-11.68	2.5	6.73	UVFS
CLPC-508-254-R230-UVFS	50.8	25.4	-50.2	-23.09	2.5	5.99	UVFS
CLPC-508-254-R460-UVFS	50.8	25.4	-100	-46.0	2.5	4.15	UVFS
CLPC-508-508-R690-UVFS	50.8	50.8	-150	-69.0	2.5	7.15	UVFS
CLPC-508-508-R920-UVFS	50.8	50.8	-200	-92.0	2.5	5.93	UVFS
CLPC-508-508-R1380-UVFS	50.8	50.8	-300	-138.0	2.5	4.76	UVFS

- Please note : Other sizes and focal length are available upon request. Also the lens ring mounts are available upon request.



福建福晶科技股份有限公司
CASTECH INC.

ADD: Building No.9, Zone F, 89 Ruan
jian Avenue, Fuzhou, Fujian
350003, China

TEL: +86-591-83710533

FAX: +86-591-83711593

E-mail: SALES@CASTECH.COM



GWU-Lasertechnik Vertriebsges. mbH

Bonner Ring 9
50374 Erftstadt
Germany

Fon +49 . (0)22 35 . 9 55 22-0
Fax +49 . (0)22 35 . 9 55 22-99

info@gwu-group.de
www.gwu-group.de



www.gwu-group.de

WWW.CASTECH.COM
WWW.CASTECH.COM